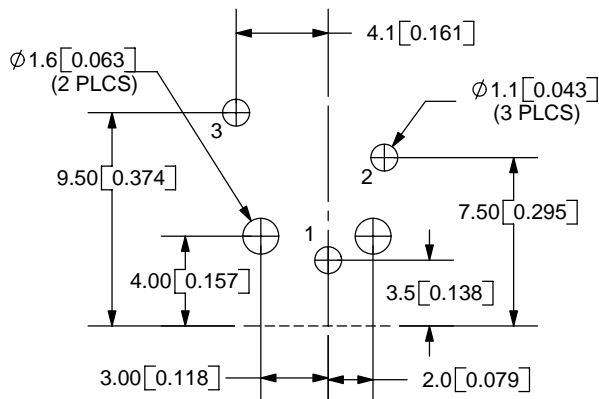
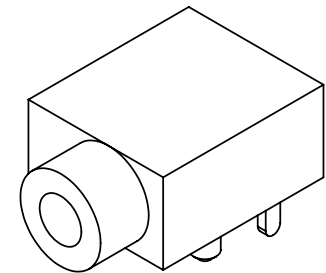
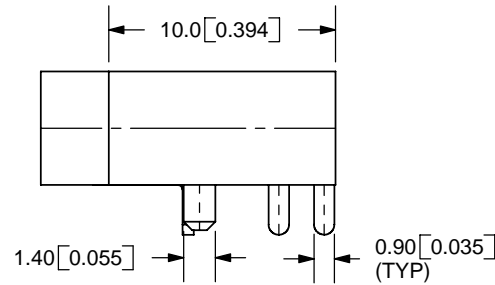
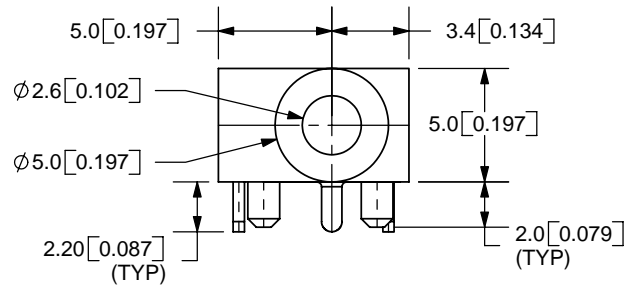
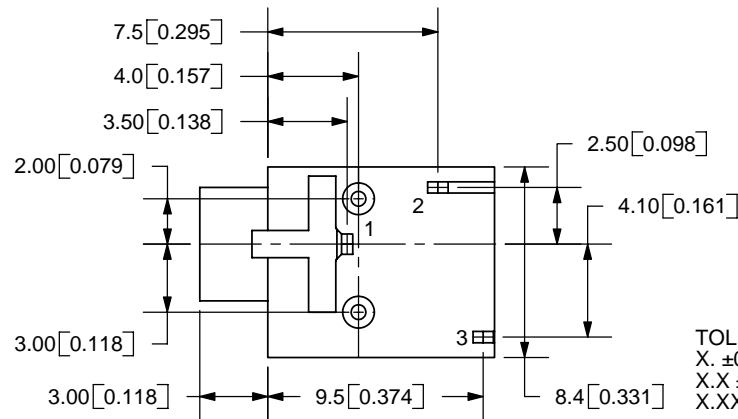


REV.	DESCRIPTION	DATE
A	NEW DRAWING	11/30/2005



PCB LAYOUT
TOP VIEW



TOLERANCE:
X. ±0.5mm
X.X ±0.3mm
X.XX ±0.15mm



MODEL NO.	SJ-2509N
SCHEMATIC	

SPECIFICATIONS:
RATING: 12V DC @ 1A
CONTACT RESISTANCE: 30m OHMS MAX
INSULATION RESISTANCE: 100M OHMS MIN: 500V DC
VOLTAGE WITHSTAND: 500V AC R.M.S. FOR 1 MINUTE
LIFE: 5,000 CYCLES



CUI INC

20050 SW 112th Ave.
Tualatin, OR 97062
Phone: 503-643-4899
800-275-4899
Fax: 503-372-1266
Website: www.cui.com

	MATERIAL	PLATING	TITLE: 2.5mm AUDIO JACK-STEREO	REV: A
TERMINAL 1	PBS	Tin	PART NO. SJ-2509N	UNITS: MM [INCHES]
TERMINAL 2	Brass	Tin		
TERMINAL 3	PBS	Tin		
HOUSING	PBT		DRAWN BY: ZRJ	APPROVED BY:
				SCALE: 3:1

PC FILE NAME:
SJ-2509N

COPYRIGHT 2006 BY CUI INC.